
 <b>CNP 南方泵业</b>	<b>Product Information</b>  <b>CDM32-11</b>	Manufacturer	Nanfang Pump Industry Co.,Ltd (CNP)
		Address	Hangzhou, Zhejiang, China
		Contact	86-571-88637351
		Date	2025/07/08
<b>Project Name</b>		Client Name	WEPKO
<b>Item NO</b>		Client Addr.	
		Contacts	Wepko
		Contact	

Part NO.	1100104894
----------	------------

Product Picture: (Note: Images may not be the same as the product)	Note
	<p>CDM/CDMF pumps are new generation, high efficiency, non-self-priming vertical multistage centrifugal pumps (Abbr. as pumps). It referred to European standard, adopted entirely new industrial design, efficiency achieved <math>MEI \geq 0.7</math>. It is energy saving, low noise, environment friendly, compact design, beautiful shape, light weight, easy for service, high reliability.</p>

### Nameplate parameters

Flow	32 m <sup>3</sup> /h
Head	153 m
Efficiency	68.5 %
Speed	2900 rpm
Number of stages	11

### Technology

Pump rotator speed	2900
Nameplate standards	CE
Pump version	2

### Material

Impeller	304
Rubber code	P
Inlet&outlet chamber	304
Material Code	S

### Installation


Connection Code	F
Maximum Pressure/Temperature (high temperature)	30 bar / 120 °C
Maximum Pressure/Temperature (low temperature)	30 bar / -15 °C
Flange Standard	DIN
Pressure Class	PN25-40
Inlet & outlet	DN65

### Medium

Medium Temperature normal temperature	-15°C+70°C
Medium Temperature high temperature	-15°C+120°C
Maximum Environment Temperature	40°C

### Structure dimension

Model picture	F Flange
Expolded view	CDMF32,42,65

 <b>CNP 南方泵业</b>	<b>Product Information</b>  <b>CDM32-11</b>	Manufacturer	Nanfang Pump Industry Co.,Ltd (CNP)
		Address	Hangzhou, Zhejiang, China
		Contact	86-571-88637351
		Date	2025/07/08
<b>Project Name</b>		Client Name	WEPKO
		Client Addr.	
<b>Item NO</b>		Contacts	Wepko
		Contact	

**Motor**


Number of Motor Phase	Three Phase
Protection Class	IP55
Insulation Class	F
Motor Power(kW)	22KW
Power Frequency(Hz)	50HZ
Rated Voltage (V)	380V
Rated Current (A)	40.5A
Energy Efficiency Level	IE3

**Seal**

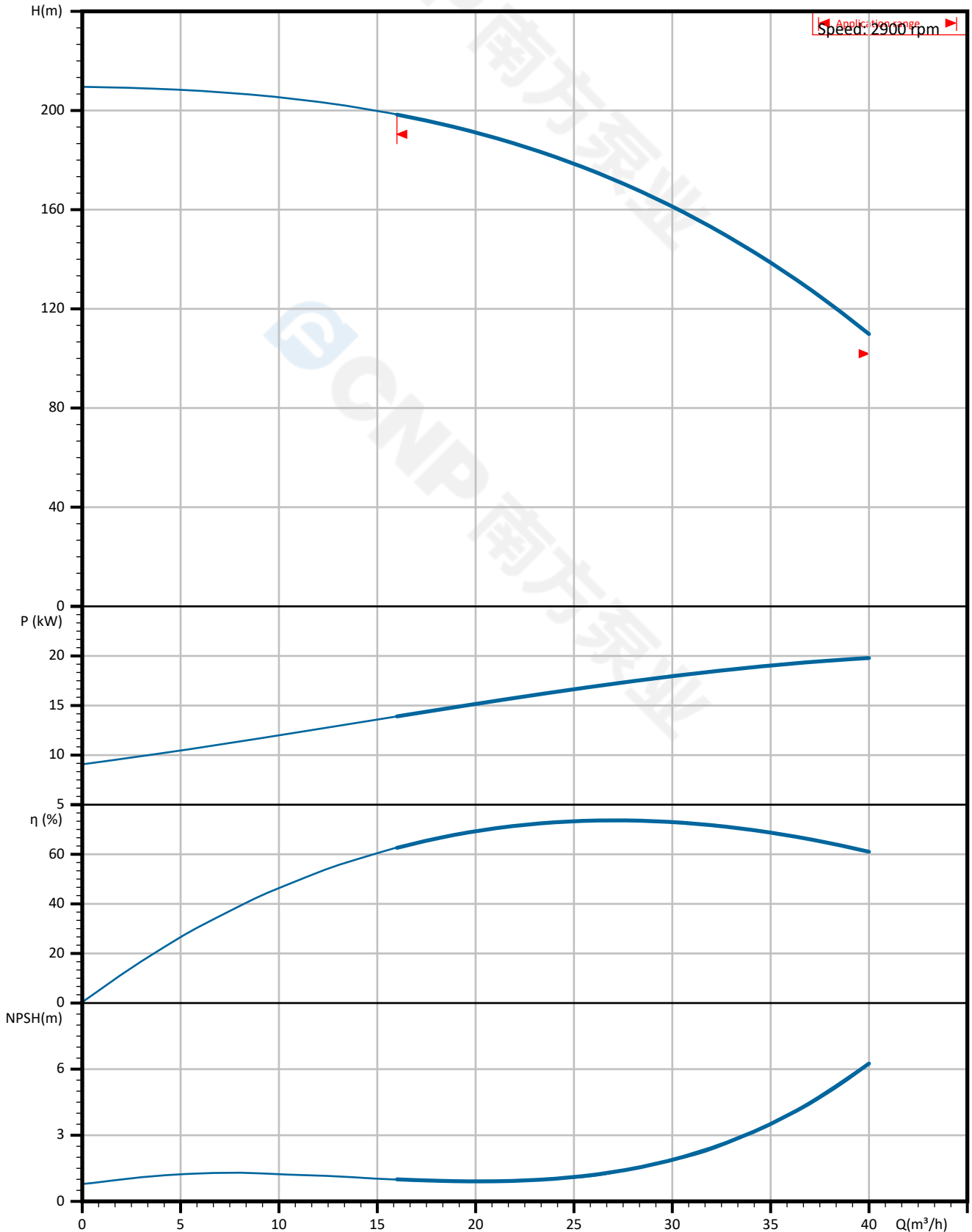
Mechanical Seal	CDLA-22/WB1F14
-----------------	----------------

**Others**

Weight (kg)	272
-------------	-----

 <b>CNP 南方泵业</b>	<b>Performance Curve</b>  <b>CDM32-11</b>	Manufacturer	Nanfang Pump Industry Co.,Ltd (CNP)
		Address	Hangzhou, Zhejiang, China
		Contact	86-571-88637351
		Date	2025/07/08
<b>Project Name</b>		Client Name	WEPKO
<b>Item NO</b>		Client Addr.	
		Contacts	Wepko
		Contact	

The hydraulic performance curve have been tested with water at 20°C, density 1000kg/m<sup>3</sup>,and at 1bar atmospherical pressure. ISO99062012 Grade 3B





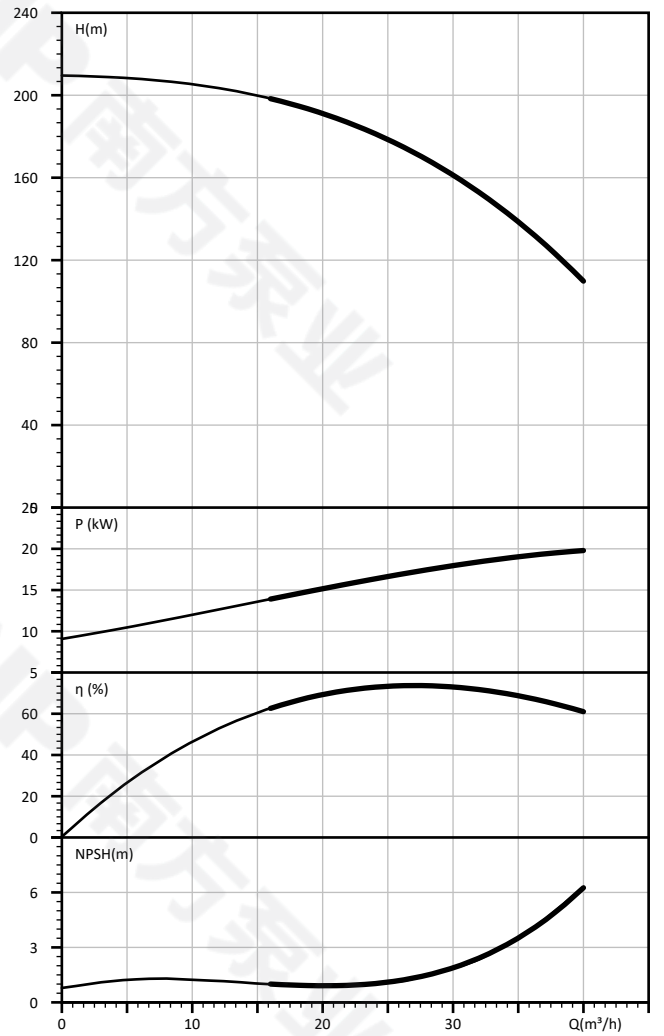
# Pump Technical Parameters


## CDM32-11

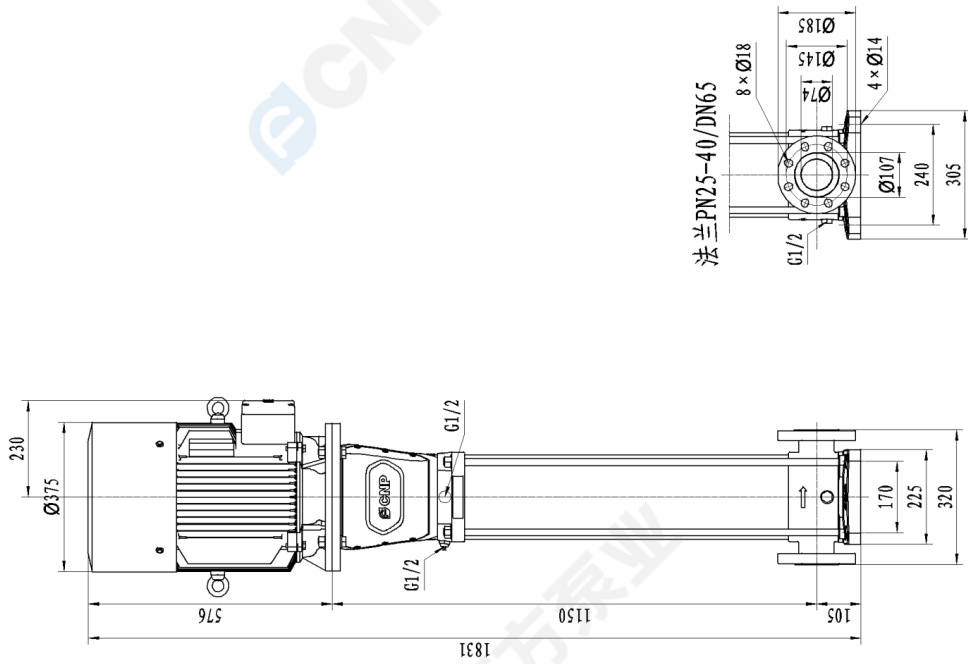
Manufacturer	Nanfeng Pump Industry Co.,Ltd (CNP)
Address	Hangzhou, Zhejiang, China
Contact	86-571-88637351
Date	2025/07/08
Client Name	WEPKO
Client Addr.	
Contacts	Wepko
Contact	

Project Name	
Item NO	


Rated parameters	
Pump model	CDM32-11
Part NO.	1100104894
Rated flow	32 m <sup>3</sup> /h
Rated head	153 m
Rated efficiency	68.5 (%)
Power (kW)	19.6 kW
NPSHr (m)	2
Speed (rpm)	2900
Max impeller diameter (mm)	118
Medium	
Pumped medium	water
Working temperature (°C)	20
Medium density (kg/m <sup>3</sup> )	1000
Viscosity (mm <sup>2</sup> /s)	1

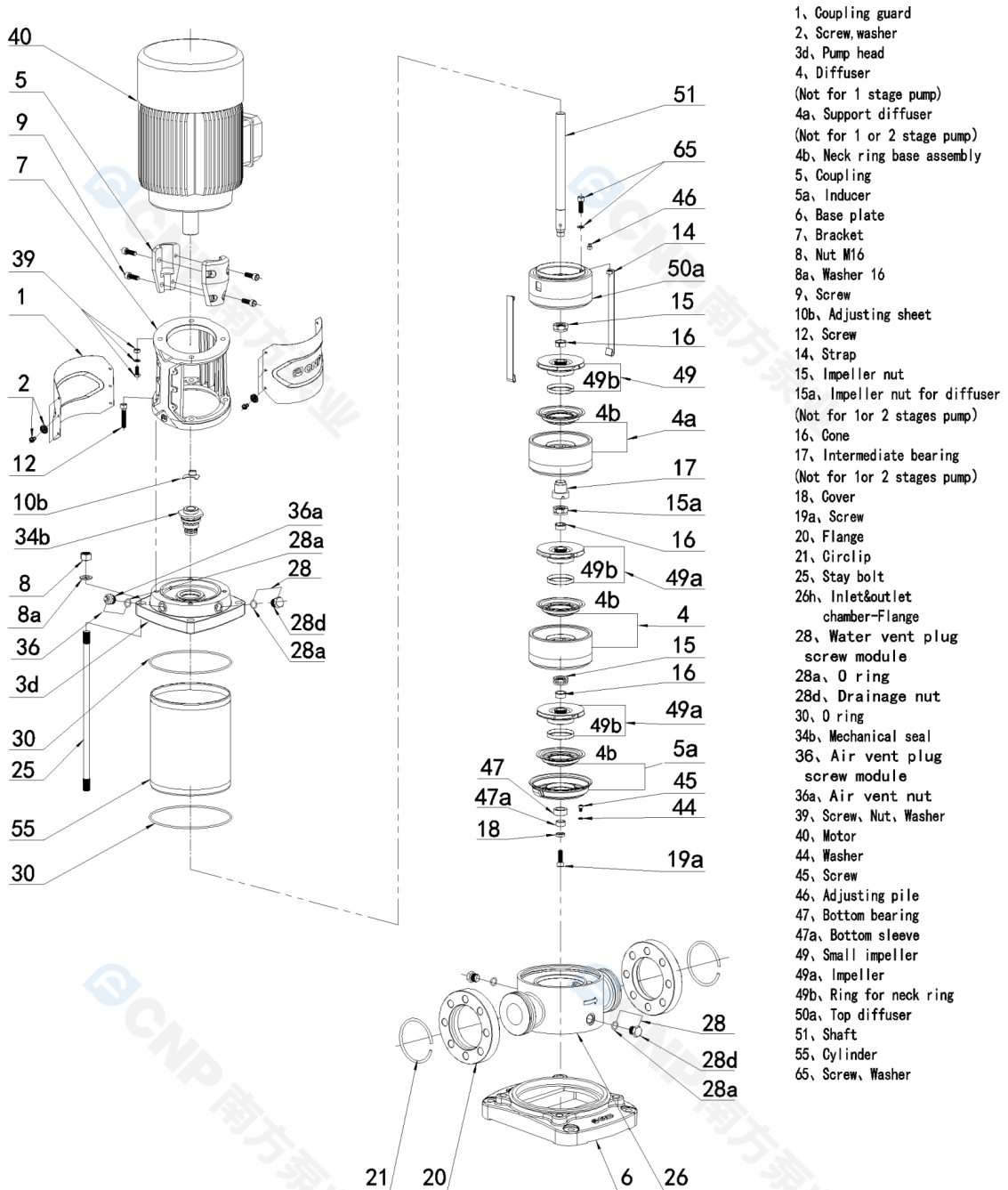


	<b>Dimension Drawing</b>  <b>CDM32-11</b>	Manufacturer	Nanfang Pump Industry Co.,Ltd (CNP)
		Address	Hangzhou, Zhejiang, China
		Contact	86-571-88637351
		Date	2025/07/08
Project Name		Client Name	WEPKO
Item NO		Client Addr.	
		Contacts	Wepko
		Contact	




CDMF32-11FSWSC


	<b>Explosed view</b>  <b>CDM32-11</b>	Manufacturer	Nanfeng Pump Industry Co.,Ltd (CNP)
		Address	Hangzhou, Zhejiang, China
		Contact	86-571-88637351
		Date	2025/07/08
Project Name		Client Name	WEPKO
		Client Addr.	
Item NO		Contacts	Wepko
		Contact	



Drawing 1-I CDMF32, 42, 65-240704

 <b>CNP 南方泵业</b>	<b>Physical picture</b>  <b>CDM32-11</b>	Manufacturer	Nanfeng Pump Industry Co.,Ltd (CNP)
		Address	Hangzhou, Zhejiang, China
		Contact	86-571-88637351
		Date	2025/07/08
<b>Project Name</b>		Client Name	WEPKO
<b>Item NO</b>		Client Addr.	
		Contacts	Wepko
		Contact	



	<b>Order Data</b>  <b>CDM32-11</b>	Manufacturer	Nanfeng Pump Industry Co.,Ltd (CNP)
		Address	Hangzhou, Zhejiang, China
		Contact	86-571-88637351
		Date	2025/07/08
		Client Name	WEPKO
<b>Project Name</b>		Client Addr.	
<b>Item NO</b>		Contacts	Wepko
		Contact	

Pump model                    CDM32-11  
 Part NO.                        1100104894  
 Product price  
 Quantity                        1  
 Total price

---

Inquiry notes