
	<b>Product Information</b>  <b>CDLK3-240/24</b>	Manufacturer	Nanfang Pump Industry Co.,Ltd (CNP)
		Address	Hangzhou, Zhejiang, China
		Contact	86-571-88637351
		Date	2025/02/04
<b>Project Name</b>		Client Name	dieselpumpasia
<b>Item NO</b>		Client Addr.	
		Contacts	dpa
		Contact	

Part NO.	1100056091
----------	------------

Product Picture: (Note: Images may not be the same as the product)	Note
	<p>Non-self-priming vertical immersion multistage centrifugal pump, the motor shaft is directly connected with the pump shaft through the coupling, and the impeller guide vane is made of stainless steel plate stamping and welding, in order to meet the installation depth of the sink or container, the cavity can be installed to change the depth of the pump immersion. Compact structure, easy maintenance, selectable installation depth, easy installation.</p>

### Nameplate parameters

Flow	3 m <sup>3</sup> /h
Head	111 m
Efficiency	46 %
Speed	2900 rpm
Number of stages	24

### Technology

Pump rotator speed	2900
Nameplate standards	CE

### Material

Impeller	304
Rubber code	P
Material Code	S

### Medium

Medium Temperature normal temperature	-15°C+70°C
Medium Temperature high temperature	-15°C+105°C
Maximum Environment Temperature	40°C

### Motor

Number of Motor Phase	Three Phase
Protection Class	IP55
Insulation Class	F
Motor Power(kW)	2.2KW
Power Frequency(Hz)	50HZ
Rated Voltage (V)	220/380V
Rated Current (A)	7.9/4.6A
Energy Efficiency Level	IE3

### Seal


Mechanical Seal	CDL-12/WSF14
-----------------	--------------

### Others

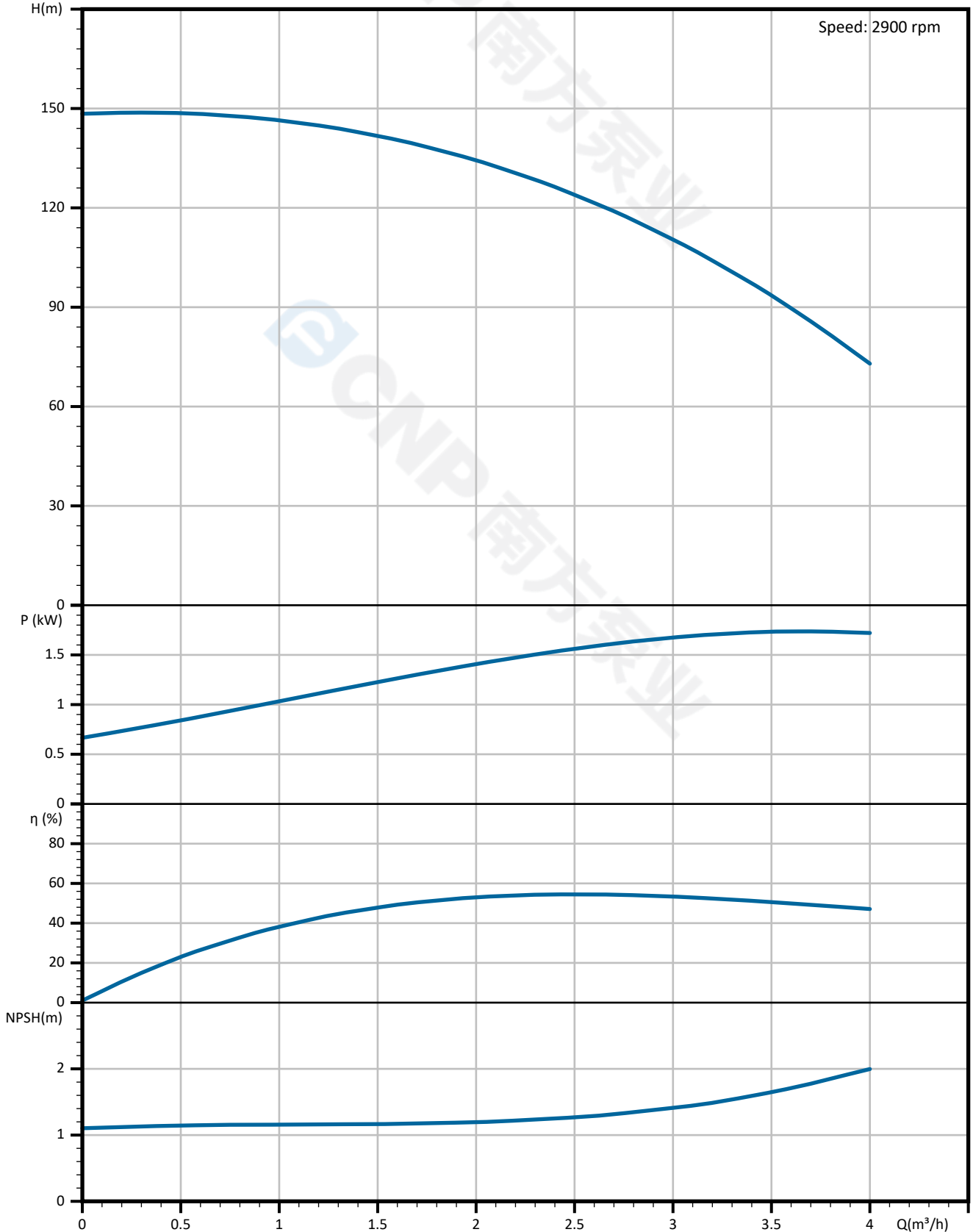
Weight (kg)	35
-------------	----


### Structure dimension

Expolded view	CDLK(F)1,2,3,4exploded view
---------------	-----------------------------

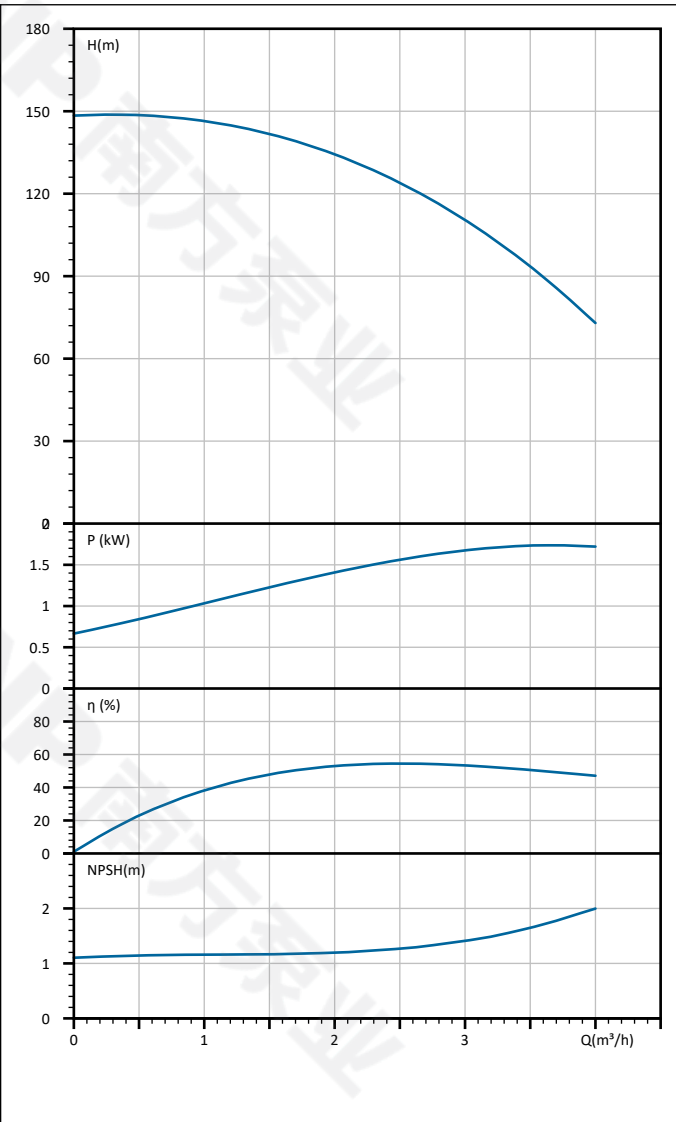
	<b>Performance Curve</b>  <b>CDLK3-240/24</b>	Manufacturer	Nanfang Pump Industry Co.,Ltd (CNP)
		Address	Hangzhou, Zhejiang, China
		Contact	86-571-88637351
		Date	2025/02/04
Project Name		Client Name	dieselpumpasia
Item NO		Client Addr.	
		Contacts	dpa
		Contact	


The hydraulic performance curve have been tested with Clean Water at 20°C, density 1000kg/m<sup>3</sup>, and at 1bar atmospherical pressure. ISO99062012 Grade 3B



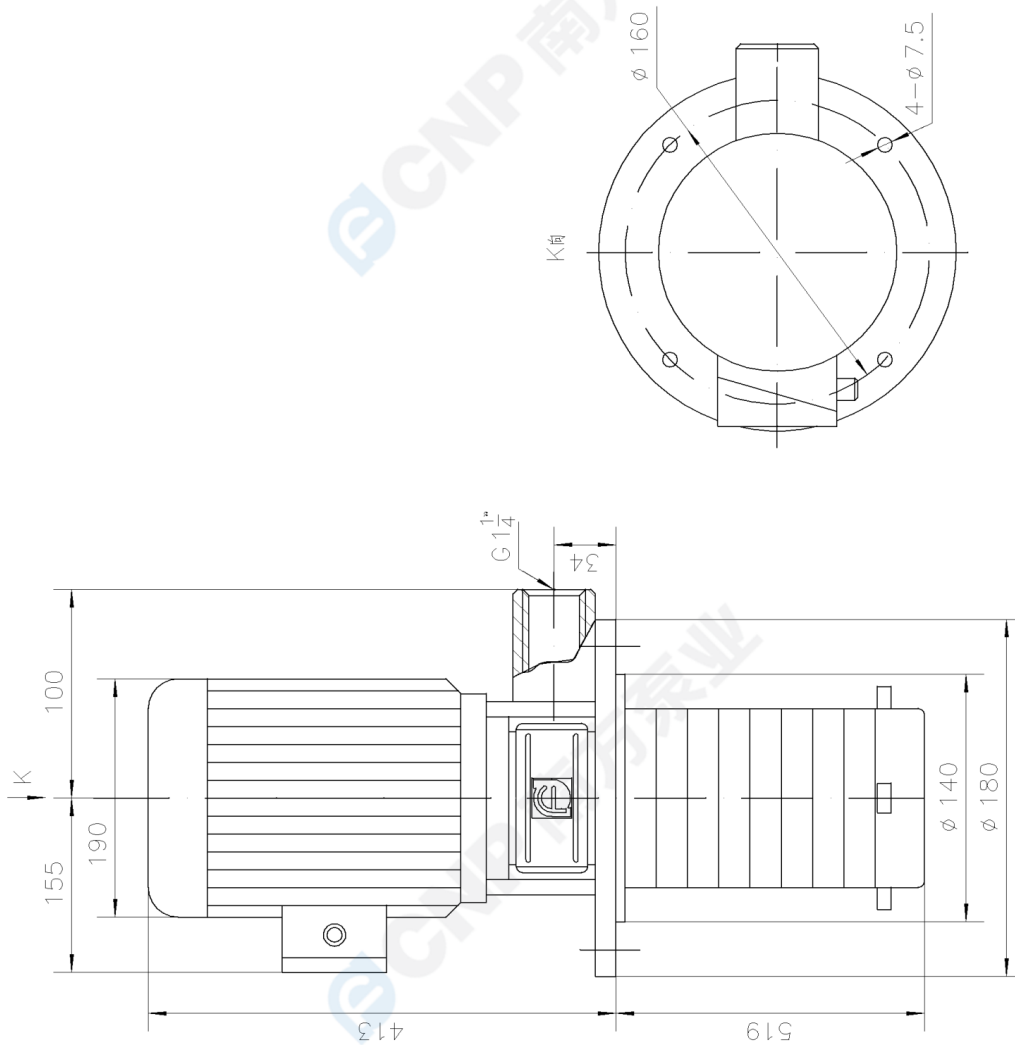
 <b>CNP 南方泵业</b>	<b>Pump Technical Parameters</b> <b>CDLK3-240/24</b>	Manufacturer	Nanfang Pump Industry Co.,Ltd (CNP)
		Address	Hangzhou, Zhejiang, China
		Contact	86-571-88637351
		Date	2025/02/04
Project Name		Client Name	dieselpumpasia
Item NO		Client Addr.	
		Contacts	dpa
		Contact	

Rated parameters	
Pump model	CDLK3-240/24
Part NO.	1100056091
Rated flow	3 m <sup>3</sup> /h
Rated head	111 m
Rated efficiency	46 (%)
Power (kW)	1.973 kW
NPSHr (m)	2
Speed (rpm)	2900
Max impeller diameter (mm)	73
Medium	
Pumped medium	Clean Water
Working temperature (°C)	20
Medium density (kg/m <sup>3</sup> )	1000
Viscosity (mm <sup>2</sup> /s)	1



 <b>CNP 南方泵业</b>	<b>Dimension Drawing</b> <b>CDLK3-240/24</b>	Manufacturer	Nanfang Pump Industry Co.,Ltd (CNP)
		Address	Hangzhou, Zhejiang, China
Project Name		Contact	86-571-88637351
		Date	2025/02/04
Item NO		Client Name	dieselpumpasia
		Client Addr.	
		Contacts	dpa
		Contact	

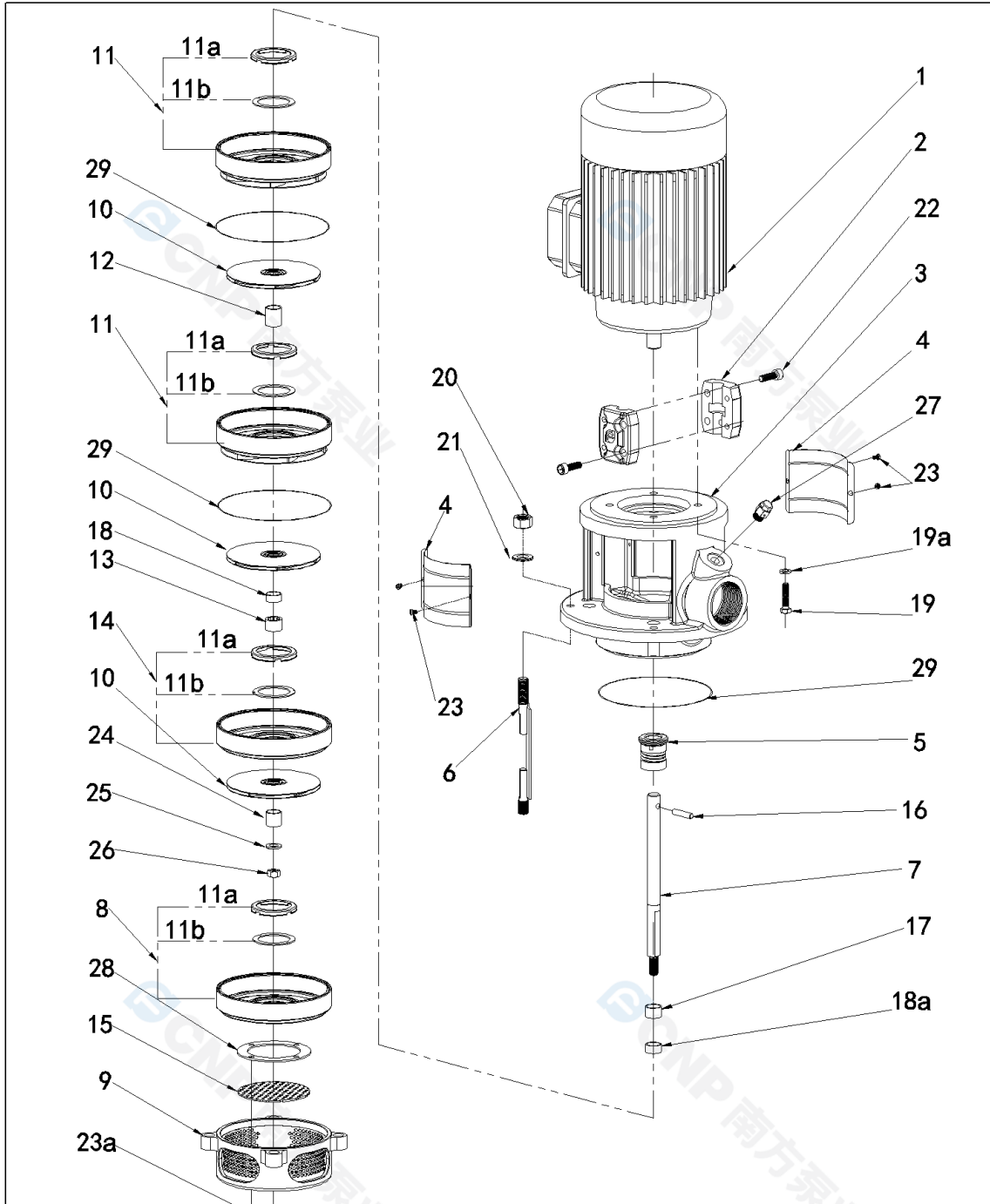
CDLK3-240/24 50Hz



Manufacturer	Nanfeng Pump Industry Co.,Ltd (CNP)
Address	Hangzhou, Zhejiang, China
Contact	86-571-88637351
Date	2025/02/04
Client Name	dieselpumpasia
Client Addr.	
Contacts	dpa
Contact	


Project Name

Item NO




- |                   |                     |                       |                   |                         |
|-------------------|---------------------|-----------------------|-------------------|-------------------------|
| 1、Motor           | 8、Inducer           | 13、Bearing            | 19、Screw          | 23a、Screw               |
| 2、Coupling        | 9、Suction head      | 14、Support diffuser   | 19a、Washer        | 24、First impeller cover |
| 3、Pump head       | 10、Impeller         | 15、Strainer           | 20、Nut            | 25、Washer               |
| 4、Coupling guard  | 11、Diffuser         | 16、Shaft pin          | 21、Washer         | 26、Nut                  |
| 5、Mechanical seal | 11a、Neck ring cover | 17、Circlip cover      | 22、Hexagon socket | 27、Air vent gag         |
| 6、Straps          | 11b、Neck ring       | 18、Impeller sleeve(S) | head sore         | 28、Strainer retainer    |
| 7、Shaft           | 12、Impeller sleeve  | 18a、Adjusting sleeve  | 23、Screw          | 29、O ring               |

**E-CDLK(F)1, 2, 3, 4-111102**

	<b>Physical picture</b> <b>CDLK3-240/24</b>	Manufacturer	Nanfeng Pump Industry Co.,Ltd (CNP)
		Address	Hangzhou, Zhejiang, China
		Contact	86-571-88637351
		Date	2025/02/04
		Client Name	dieselpumpasia
<b>Project Name</b>		Client Addr.	
<b>Item NO</b>		Contacts	dpa
		Contact	



	<b>Order Data</b> <b>CDLK3-240/24</b>	Manufacturer	Nanfang Pump Industry Co.,Ltd (CNP)
		Address	Hangzhou, Zhejiang, China
		Contact	86-571-88637351
		Date	2025/02/04
		Client Name	dieselpumpasia
<b>Project Name</b>		Client Addr.	
<b>Item NO</b>		Contacts	dpa
		Contact	

Pump model                    CDLK3-240/24  
 Part NO.                        1100056091  
 Product price  
 Quantity                        1  
 Total price

---

Inquiry notes