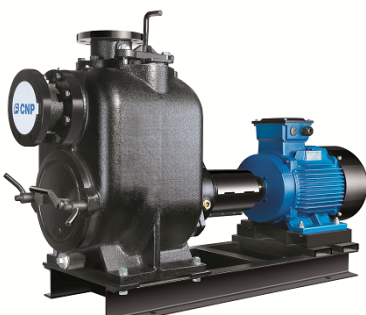
	<b>Product Information</b> <b>SP-4(1650)</b>	Manufacturer	CNP
		Address	Yuhang District, Hangzhou, Zhejiang,
<b>Project Name</b>		Contact	86-571-88637351
		Date	2022/03/08
<b>Item NO</b>		Client Name	DPA
		Client Addr.	
		Contacts	Alireza
		Contact	

Part NO.	1100061754
----------	------------

Product Picture	Note
	<p>Single-stage non-clogging self-priming sewage pump with open impeller structure and non-clogging design, axial suction and radial discharge. Using the pull-type structure, maintenance without removing the pump and piping.</p>

### technology

Pump rotator speed	1650
Nameplate standards	CE

### Material

Impeller	QT400-18
Rubber code	P

### Installation

Maximum Operation Pressure	0.34MPa
Maximum Altitude	1000M

### Medium

Maximum diameter of partic	76mm
Medium PH Value	5~9
Medium Density	≤1.2*103kg/m3
Maximum Environment Temper	≤40
Liquid Temperature Range	040

### Structure dimension

Inlet Bore	100mm
Outlet Diameter	100mm

### Motor

Number of Motor Phase	Three Phase
Protection Class	IP55
Insulation Class	F
Motor Power	18.5kw
Power Frequency	50HZ
Rated Voltage (V)	380V
Rated Current (A)	34.7A
Energy Efficiency Level	IE2

### Seal

Mechanical Seal	SP-1 1/2/WWF14
-----------------	----------------

### Others

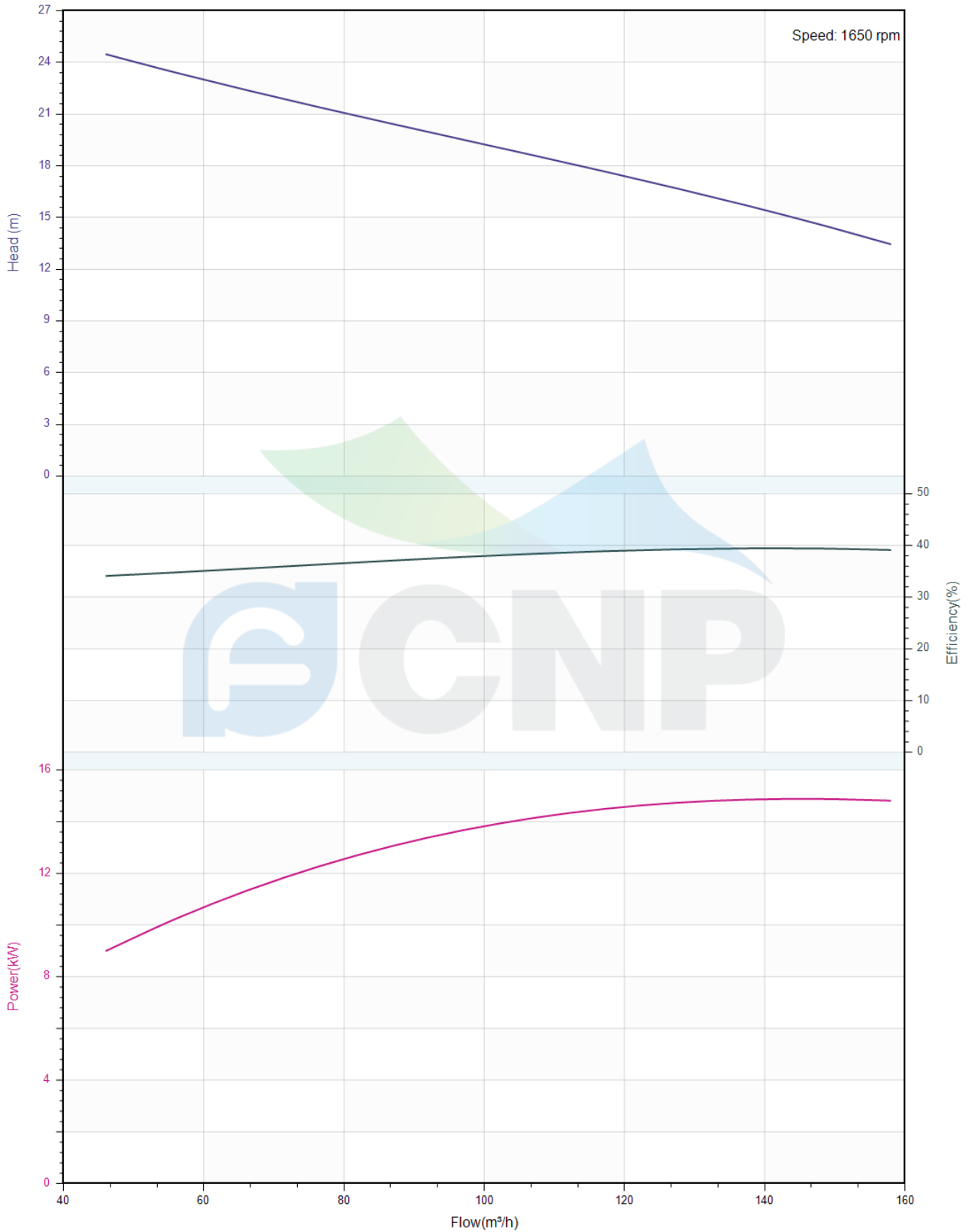
Weight of Pump	275
----------------	-----



### Performance Curve SP-4(1650)

Manufacturer	CNP
Address	Yuhang District, Hangzhou, Zhejiang,
Contact	86-571-88637351
Date	2022/03/08
Client Name	DPA
Client Addr.	
Contacts	Alireza
Contact	

The hydraulic performance curve have been tested with Clean Water at 20°C, density 1000kg/m<sup>3</sup>, and at 1bar atmospheric pressure. ISO99062012 Grade 3B





## Pump Technical Parameters SP-4(1650)

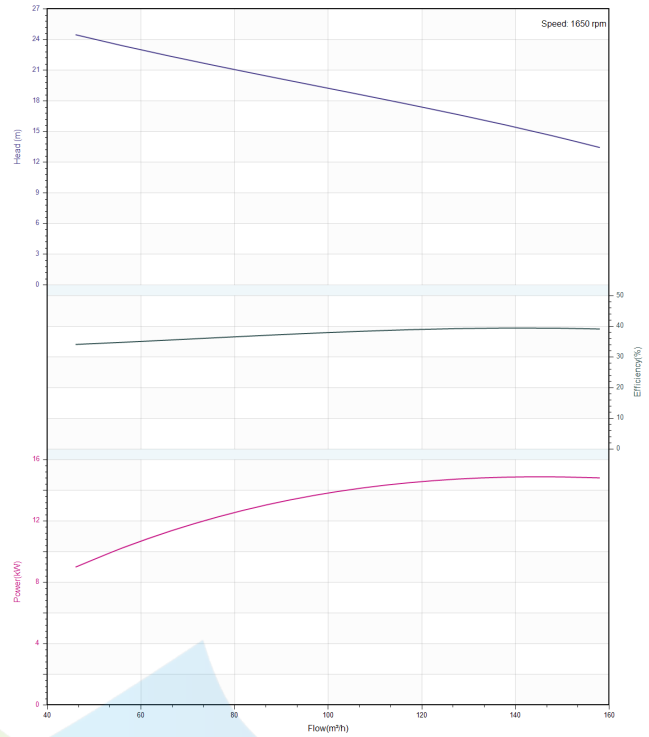
Manufacturer	CNP
Address	Yuhang District, Hangzhou, Zhejiang,
Contact	86-571-88637351
Date	2022/03/08
Client Name	DPA
Client Addr.	
Contacts	Alireza
Contact	

### Rated parameters

Pump model	SP-4(1650)
Part NO.	1100061754
Rated flow (m <sup>3</sup> /h)	115
Rated head (m)	18
Rated efficiency (%)	39.3
Power (kW)	14.35
NPSHr (m)	4.4
Speed (rpm)	1650
Max impeller diameter (mm)	252

### Medium

Pumped medium	Clean Water
Working temperature (°C)	20
Medium density (kg/m <sup>3</sup> )	1000
Viscosity (mm <sup>2</sup> /s)	1



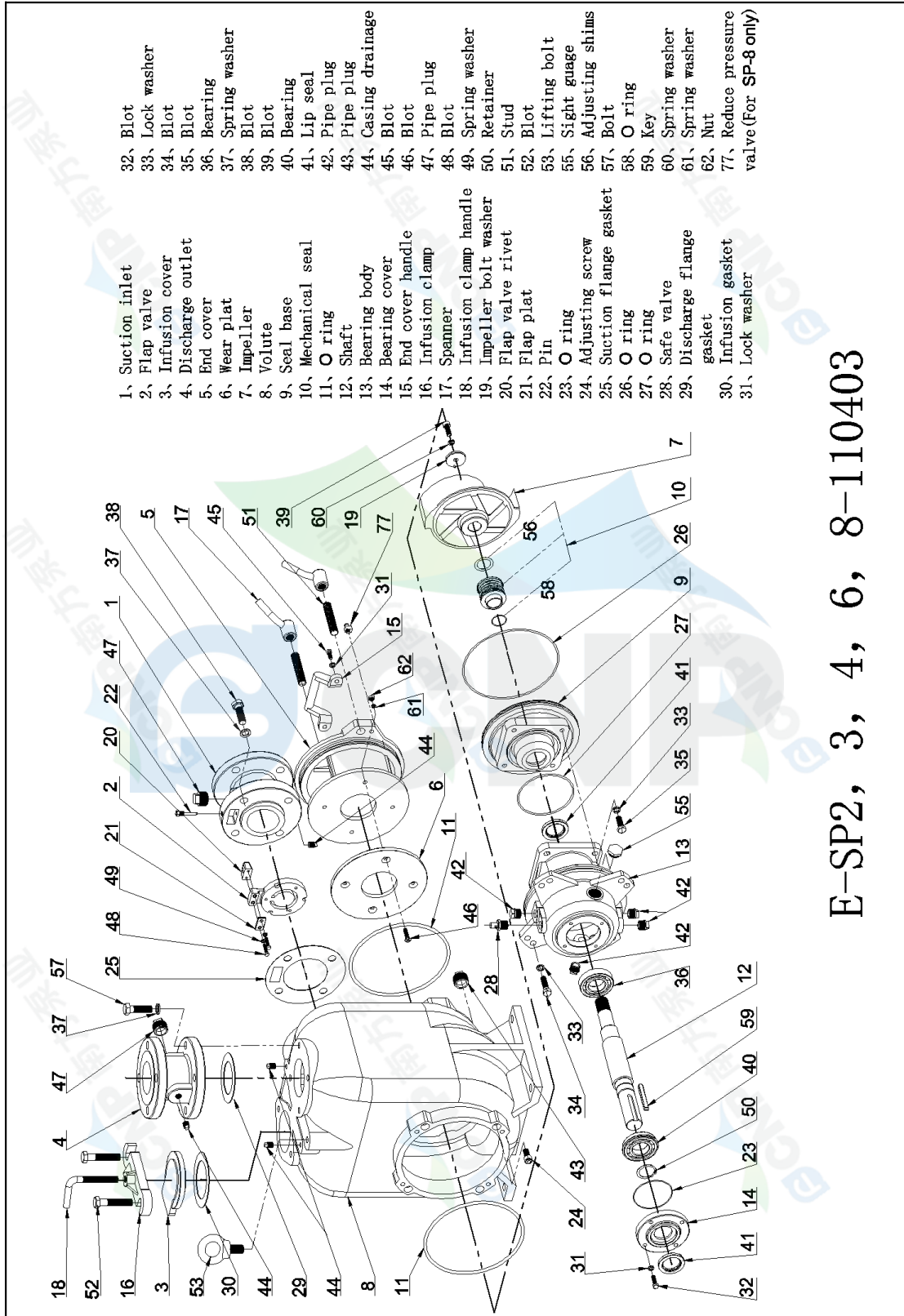


**Structure picture**  
**SP-4(1650)**

Manufacturer	CNP
Address	Yuhang District, Hangzhou, Zhejiang,
Contact	86-571-88637351
Date	2022/03/08
Client Name	DPA
Client Addr.	
Contacts	Alireza
Contact	

Project Name

Item NO



- 1, Suction inlet
- 2, Flap valve
- 3, Infusion cover
- 4, Discharge outlet
- 5, End cover
- 6, Wear plat
- 7, Impeller
- 8, Volute
- 9, Seal base
- 10, Mechanical seal
- 11, O ring
- 12, Shaft
- 13, Bearing body
- 14, Bearing cover
- 15, End cover handle
- 16, Infusion clamp
- 17, Spanner
- 18, Infusion clamp handle
- 19, Impeller bolt washer
- 20, Flap valve rivet
- 21, Flap plat
- 22, Pin
- 23, O ring
- 24, Adjusting screw
- 25, Suction flange gasket
- 26, O ring
- 27, O ring
- 28, Safe valve
- 29, Discharge flange gasket
- 30, Infusion gasket
- 31, Lock washer
- 32, Blot
- 33, Lock washer
- 34, Blot
- 35, Blot
- 36, Bearing
- 37, Spring washer
- 38, Blot
- 39, Blot
- 40, Bearing
- 41, Lip seal
- 42, Pipe plug
- 43, Pipe plug
- 44, Casing drainage
- 45, Blot
- 46, Blot
- 47, Pipe plug
- 48, Blot
- 49, Spring washer
- 50, Retainer
- 51, Stud
- 52, Blot
- 53, Lifting bolt
- 55, Sight gauge
- 56, Adjusting shims
- 57, Bolt
- 58, O ring
- 59, Key
- 60, Spring washer
- 61, Spring washer
- 62, Nut
- 77, Reduce pressure valve (For SP-8 only)

**E-SP2, 3, 4, 6, 8-110403**

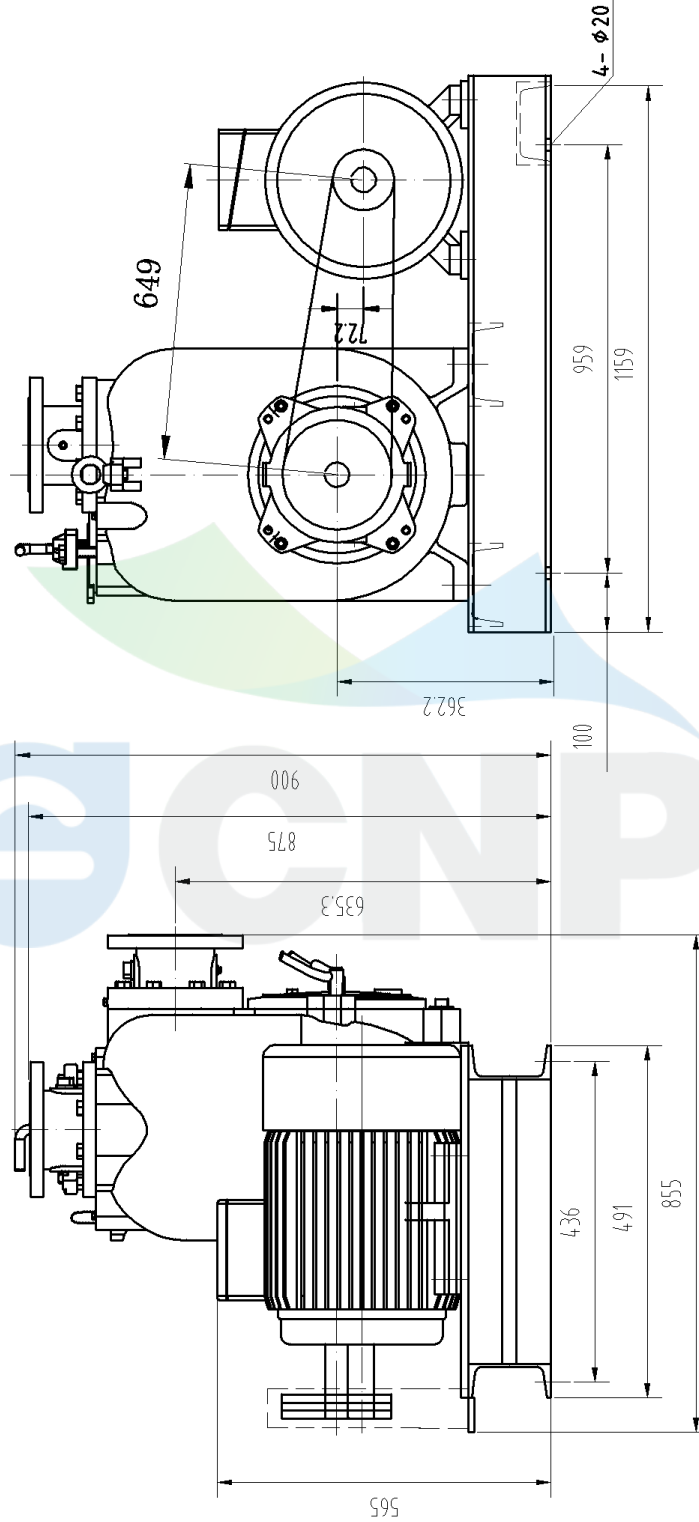


### Dimension Drawing SP-4(1650)

Manufacturer	CNP
Address	Yuhang District, Hangzhou, Zhejiang,
Contact	86-571-88637351
Date	2022/03/08
Client Name	DPA
Client Addr.	
Contacts	Alireza
Contact	

Project Name

Item NO



SP-4 1650



**Installation picture**  
**SP-4(1650)**

Manufacturer	CNP
Address	Yuhang District, Hangzhou, Zhejiang,
Contact	86-571-88637351
Date	2022/03/08
Client Name	DPA
Client Addr.	
Contacts	Alireza
Contact	

Project Name

Item NO

**SP-4**  
**GB/T17241.6-1998**  
**DN100 PN1.0MPa**

